

LandStar series



LS1024RP/LS1524RP/LS2024RP

SOLAR STREET LIGHT CONTROLLER

Rated Current: 10A, 15A, 20A

System Voltage: 12/24V Auto Work

Load work mode:

Dusk to Dawn, Light On+dual timer, Test, ON/OFF

Intelligent timer function with 1-15 hours option

Unique dual timer function, enhance the flexibility of street light system.

Waterproof design, IP66

- Intelligent System Optimum Control
- High efficient Series PWM charging with temperature compensation
- Compact size
- Use MOSFET as electronic switch, without any mechanical switch
- Digital LED menu, only one key solve all setting simply
- Load status display
- Gel, Sealed and Flooded battery type option
- Big terminals and big distance between terminals (10A/6 mm², 15A, 20A/10 mm²)
- Electronic protection: Overheating, over charging, over discharging, overload, and short circuit
- Reverse polarity protection: Any combination of solar module and battery



Application:

Ideal for extreme environments with corrosion, dust, water etc

- ★ Solar home system
- ★ Solar street lights
- ★ Solar garden lights
- ★ Solar detection equipment etc.



Model selection:

LS1024RP 10A 12/24V AUTO

Ideal for off-grid solar system up to 120W,12V or 270W,24V

LS1524RP 15A 12/24V AUTO

Ideal for off-grid solar system up to 200W,12V or 400W,24V

LS2024RP 20A 12V/24 AUTO

Ideal for off-grid solar system up to 270W,12V or 550W,24V

Our Advantage:

- ★ Sophisticated R&D has over 20 years research experience's and works in close collaboration with Beihang University
- ★ Professional technical and service team
- ★ Using world top class electronic components; all the components are industrial grade
- ★ High quality products with reasonable price; the failure rate is less than 2 per1000 pcs
- ★ Practical application in more than 120 countries
- ★ Expected 10 years lifetime
- ★ 2 years warranty

Electrical parameters

System voltage	12 / 24VDC Auto work	
Battery voltage	6-36V	
Nominal battery current	LS1024RP	10A
	LS1524RP	15A
	LS2024RP	20A
Charge circuit voltage drop	≤0.26V	
Discharge circuit voltage drop	≤0.15V	
Self consumption	≤6mA	

Battery voltage parameters (TEMPCO -30mV/°C/12V,25°C ref)

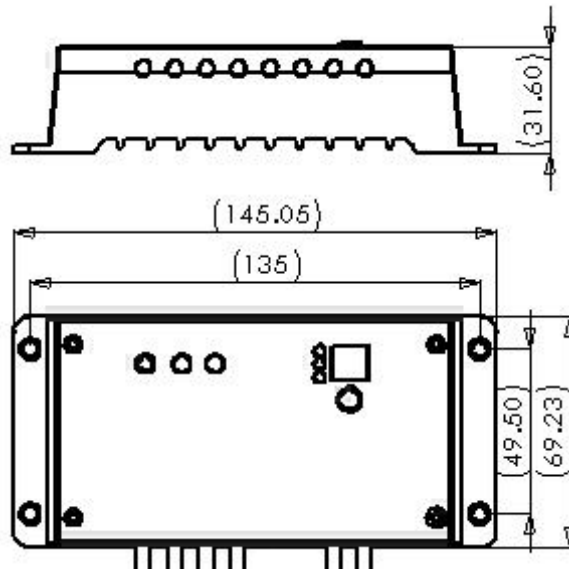
Battery charging setting	Gel	Sealed	Flooded
Over voltage disconnect voltage	16V; x2/24V	16V; x2/24V	16V; x2/24V
Charging limit voltage	15.5V;x2/24V	15.5V;x2/24V	15.5V;x2/24V
Equalize charging voltage	—	14.6V;x2/24V	14.8V;x2/24V
Boost charging voltage	14.2V;x2/24V	14.4V;x2/24V	14.6V;x2/24V
Float charging voltage	13.8V;x2/24V	13.8V;x2/24V	13.8V;x2/24V
Boost reconnect charging voltage	13.2V;x2/24V	13.2V;x2/24V	13.2V;x2/24V
Low voltage reconnect charging voltage	12.6V;x2/24V	12.6V;x2/24V	12.6V;x2/24V
Under voltage warning reconnect voltage	12.2V;x2/24V	12.2V;x2/24V	12.2V;x2/24V
Under voltage warning voltage	12V; x2/24V	12V; x2/24V	12V; x2/24V
Low voltage disconnect voltage	11.1V;x2/24V	11.1V;x2/24V	11.1V;x2/24V
Discharging limit voltage	10.8V;x2/24V	10.8V;x2/24V	10.8V;x2/24V
Equalize duration	—	2hours	2 hours
Boost duration	2 hours	2 hours	2 hours

Environmental parameters

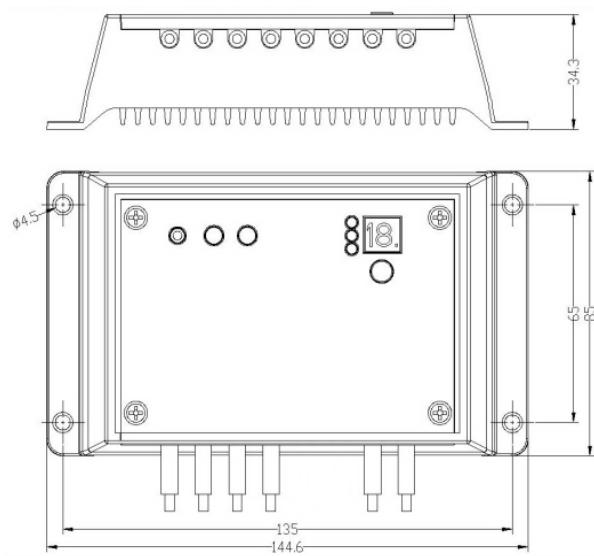
Working temperature	-35°C to +55°C
Storage temperature	-35°C to +80°C
Humidity	10%-90% NC
Enclosure	IP66

Mechanical parameters

	LS1024RP	LS1524RP/ LS2024RP
Overall dimension	145mm x 69mm x 31mm	145mm x 85mm x 34mm
Mounting dimension	135mm x 49mm	135mm x 65mm
Wire diameter	4mm ²	6mm ²
Net weight	0.3kg	0.4kg



Mechanical Dimension LS1024RP



Mechanical Dimension LS1524RP /LS2024RP