

Solar charge controller NEW LandStar series



New LandStar series is Epsolar's new generation programmable solar charge controller. Fully encapsulated PCB, IP67 design, aluminum case ensures the controller can work in extremely terrible, and increase system operation, reliability and efficiency. It can be connected to remote meter ,PC for real-time monitoring, custom setting and control etc. or supper parameter programmer for quick setting of the parameters.



Application:

- ◆ Solar home system
- ◆ Solar lighting system
- ◆ Solar road signals
- ◆ Solar surveillance
- ◆ Solar RVs and boats
- ◆ Small solar power station

Model overview:



- ★ LS1024BP 10A 12/24V auto
- ★ LS2024BP 20A 12/24V auto

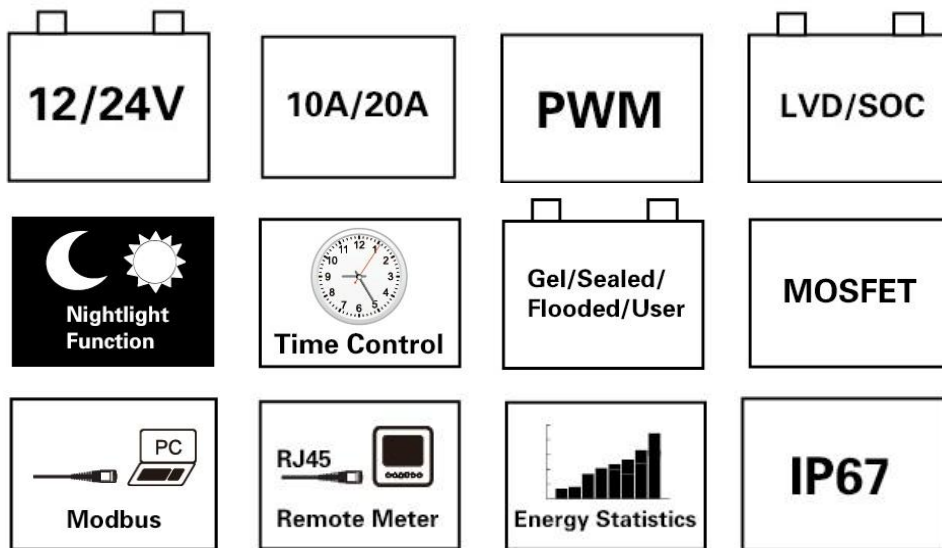


Features:

- ◆ Three system voltage configuration : 12V, 24V or 12V/24V auto work
- ◆ High efficiency PWM charging with temperature compensation
- ◆ External temperature sensor interface
- ◆ TTL 232 communication
- ◆ Open standard Modbus communication
- ◆ Software update function

More powerful function via MT50 or PC

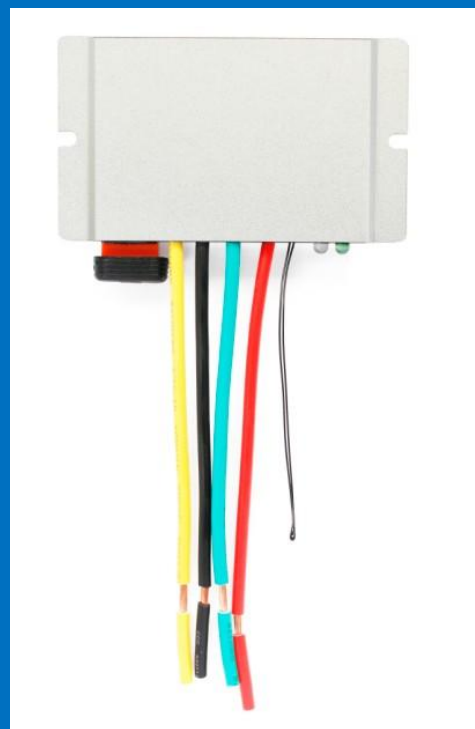
- ◆ Diversified load control modes : manual, light ON/OFF, Light ON+ Timer, Time Control
- ◆ Battery type selection: Gel, sealed, flooded and USER type
- ◆ Real-time monitor & set parameters
- ◆ LVD or SOC load disconnect function
- ◆ Energy statistics function

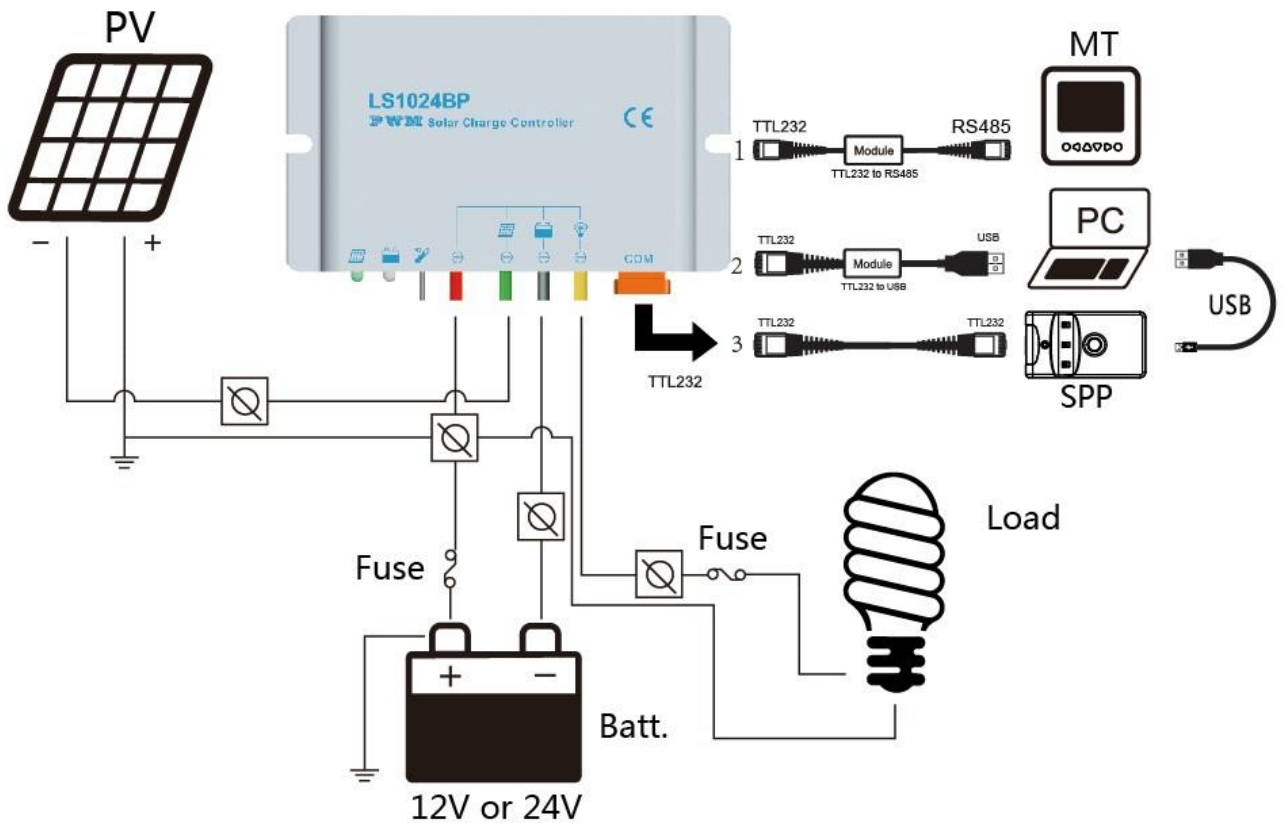


Electronic protections:

- ◆ PV array short circuit
- ◆ PV reverse polarity
- ◆ High voltage transients
- ◆ Overcharge
- ◆ Over discharge
- ◆ Battery reverse polarity
- ◆ Load short circuit
- ◆ Load overload
- ◆ Overheating





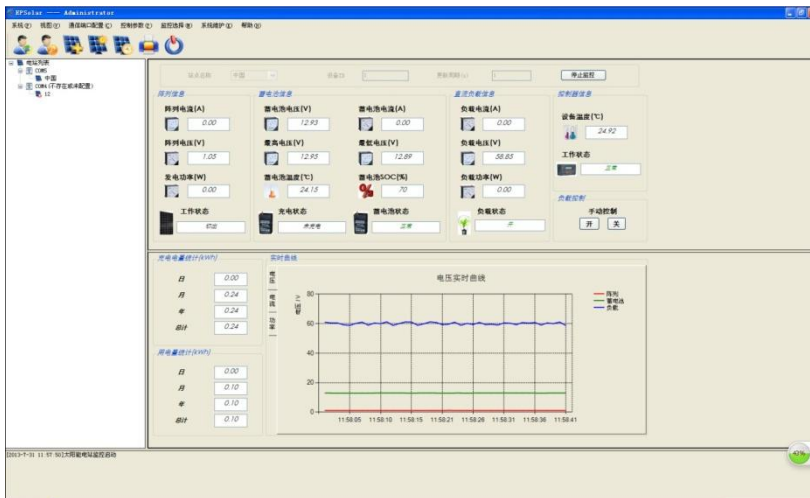


Optional accessories :

<p>Remote meter MT50</p>	<p>Super parameter programmer SPP-01</p>	<p>Communication cable CC-USB-RS485-150U</p>



PC monitoring software:



Technical specifications :

Model	LS1024BP	LS2024BP
Nominal System Voltage	12 / 24VDC	
Rated Battery Current	10A	20A
Maximum PV input voltage	50V	
Self-consumption	8.4mA(12V), 7.8mA(24V)	
Temp. Compensation	-3mV/°C/2V (25°C ref)	
Equalize Charging Voltage	Sealed: 14.6V, Flooded: 14.8V, User-defined: 9~17V	
Boost Charging Voltage	Gel: 14.2V, Sealed: 14.6V, Flooded: 14.8V, User-defined: 9~17V	
Float Charging Voltage	Gel /Sealed /Flooded: 13.8V, User-defined: 9~17V	
Low Voltage Reconnect Voltage	Gel /Sealed /Flooded: 12.6V, User-defined: 9~17V	
Low Voltage Disconnect Voltage	Gel /Sealed /Flooded: 11.1V, User-defined: 9~17V	

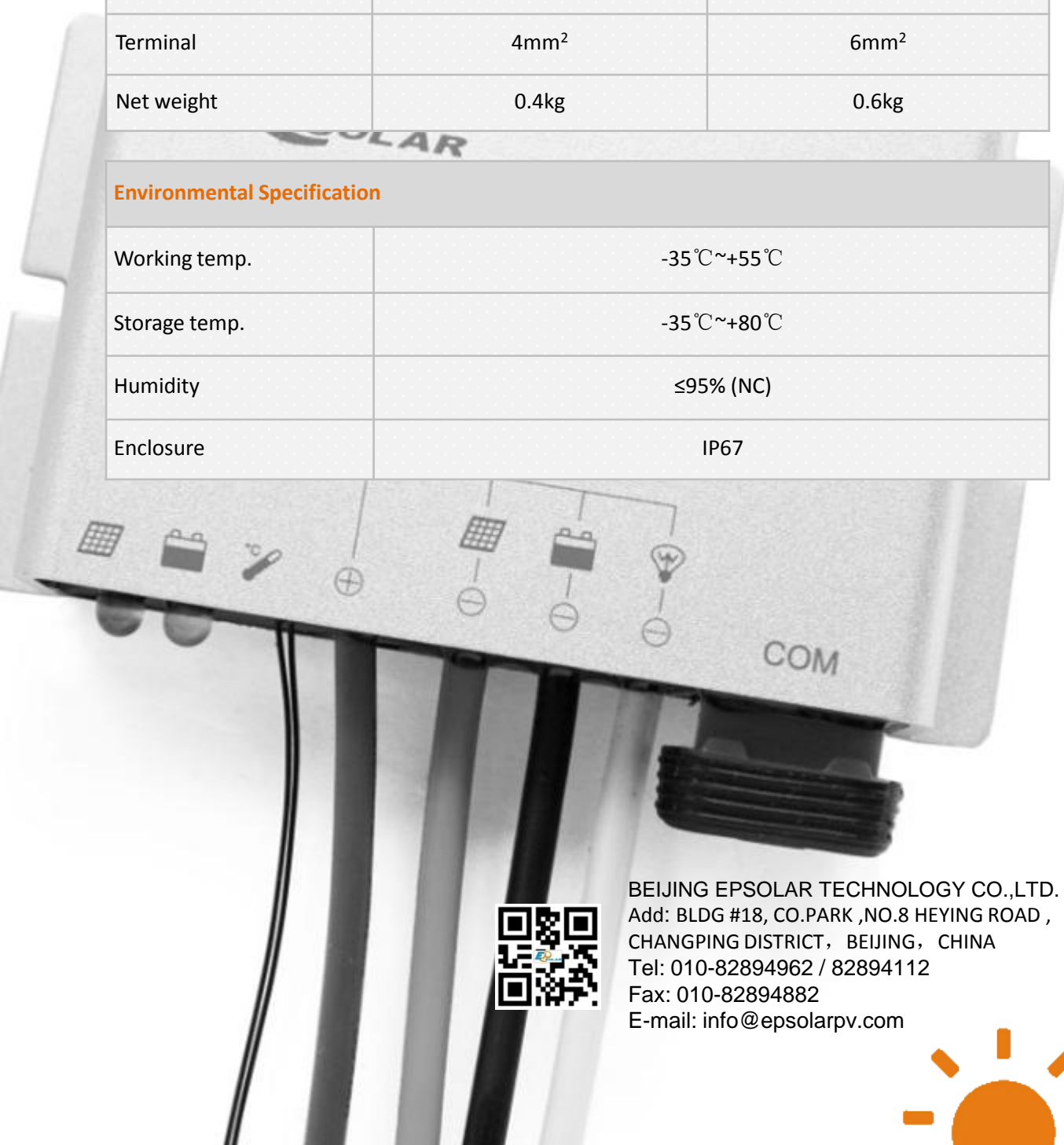
* Technical data for 12V system at 25°C



Model	LS1024BP	LS2024BP
Dimension	108.5 x 64.5 x 25.6mm	139 x 76.5 x 28mm
Mounting holes	100.5mm	131mm
Terminal	4mm ²	6mm ²
Net weight	0.4kg	0.6kg

Environmental Specification

Working temp.	-35°C~+55°C
Storage temp.	-35°C~+80°C
Humidity	≤95% (NC)
Enclosure	IP67



BEIJING EPSOLAR TECHNOLOGY CO.,LTD.
Add: BLDG #18, CO.PARK ,NO.8 HEYING ROAD ,
CHANGPING DISTRICT, BEIJING, CHINA
Tel: 010-82894962 / 82894112
Fax: 010-82894882
E-mail: info@epsolarpv.com

